



NEW COLEMAN

TOASTER — GRIDDLE — BROILER

A must for every camping family. Toasts broils, grills, fries. Thick cast aluminum construction distributes heat evenly throughout the unit. Recessed groove surrounding the cooking surface allows dry food preparation. Size: 18½" x 9¾" x 1½".

COLEMAN HIGH STAND

Has rigidity with light weight. Premium gauge aluminum extrusions combined with eight stiffener links. Opens from either end, provides firm base for stoves, coolers, etc. Size open: 15½" x 15" x 26". Size closed: 2½" x 2" x 26".

COLEMAN OVEN

Flip it open, latch it closed. Simplified, instant setup requires no instruction; bakes frozen foods, prepared rolls and biscuits, or your own taste treats better, more evenly. Large side-opening door for greater convenience. Model 5010A700.



YOUR COLEMAN GUARANTEE

All new models of Coleman Outing Products are guaranteed against faulty material or workmanship.

Any part found defective because of imperfect material or workmanship will be replaced without charge when returned with transportation charges prepaid to the Coleman factory, or to the nearest Coleman authorized in-warranty service station.

This guarantee does not, of course, apply to generators on stoves and lanterns, nor to any product where it is evident that damage has developed from improper handling or operation.

NOTICE: The use of any attachment or device that is not expressly approved by The Coleman Company, Inc. to alter or affect the operation of the appliance automatically cancels all warranties, implied or expressed. Furthermore, the Company shall not be liable for any consequences that result from the use of equipment under these circumstances.

Coleman's warranty on repair parts is made null and void by their use on other than Coleman[®] manufactured appliances. Coleman's warranty on Coleman[®] appliances is made null and void by use of other than genuine Coleman[®] repair parts. Always look for this Coleman[®] label.



Made in United States of America

THE COLEMAN COMPANY, INC.

General Office and Factory: Wichita, Kansas, U.S.A. 67201
Canadian Office and Factory: Toronto, Canada

1960B024 3-69 P.I.

LITHO IN U.S.A.

HOW TO USE YOUR



THREE-BURNER
CAMP STOVE
426D



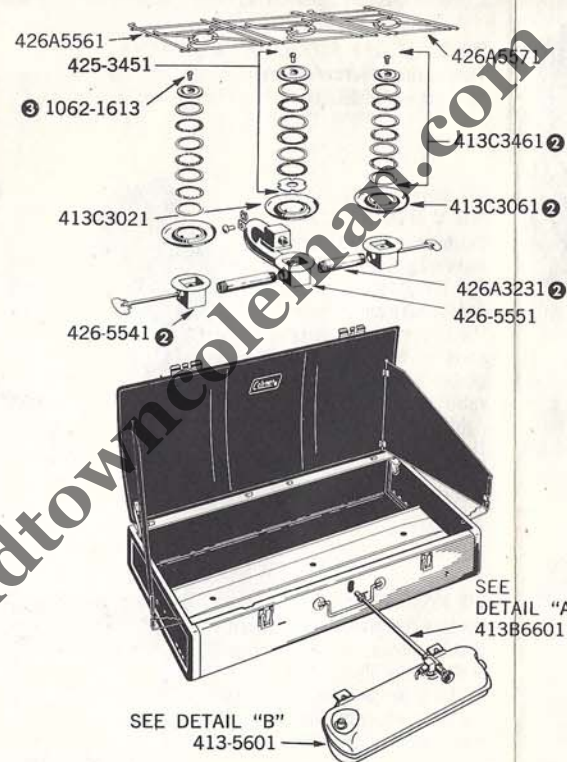
DIRECTIONS FOR OPERATING AND SERVICING

PARTS LIST FOR COLEMAN CAMP STOVE 426D



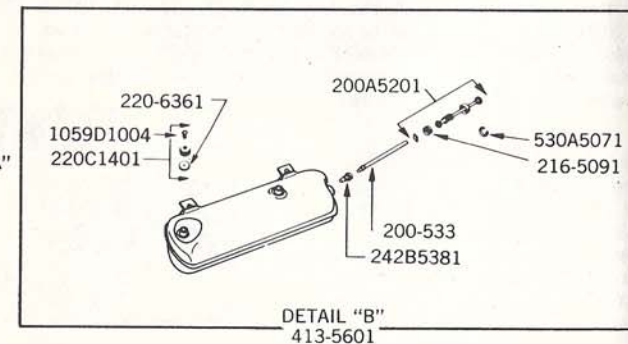
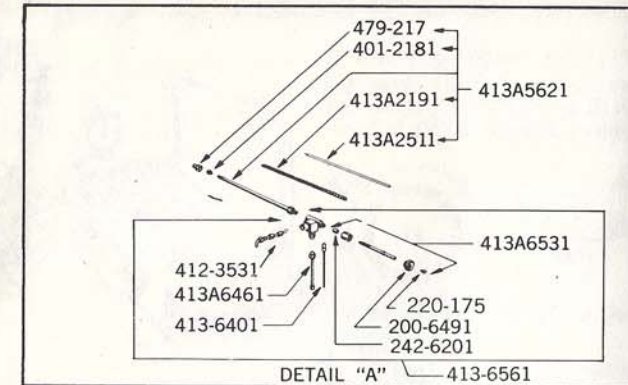
PART NO.	DESCRIPTION
412-3531	Lighter Stem
413-6401	Block & Needle Assembly
413-5601	Tank Complete
413-6561	Valve with Stem
413A2191	Generator Coil
413A2511	Needle Assembly
413A5621	Generator
413A6461	Tube Assembly, Fuel & Air
413A6531	Stem Assembly
413B6601	Valve & Generator Complete
413C3021	Master Burner Bowl
413C3061	Auxiliary Burner Bowl
413C3461	Auxiliary Burner Cap & Fillers
425-3451	Master Burner Cap & Fillers
426-5541	Auxiliary Burner Body with Valve
426-5551	Master Burner Body
426A5561	Grate, Left
426A5571	Grate, Right
426A3231	Pump Cup
479-217	Manifold Pipe
530A5071	Tip Protector
1059D1004	Pump Cap Clip
1062-1613	Screw
220-175	Machine Screw
	Self-Tapping Screw

PART NO.	DESCRIPTION
8B119	Enamel, Pressured Spray — Forest Green
200-533	Air Stem
200A5201	Pump Plunger Assembly
200-6491	Valve Wheel
216-5091	Pump Cup
220-6361	Filler Cap Gasket & Disc
220C-1401	Filler Cap
242-6201	Valve Stem Packing
242B5381	Check Valve
401-2181	Gas Tip, Marked B



- ② Quantity of Parts Used in Assembly
- ③ Quantity of Parts Used in Assembly

Now available — NEW! — Canvas Protector Case for your Camp Stove



See your Coleman Dealer for Repair Parts

**ALWAYS USE
THE RIGHT KIND
OF FUEL**



Substances in gasoline which do not vaporize will form carbon in the generator of your stove. The length of service you get from your stove and generator depends greatly upon the kind of fuel you have.

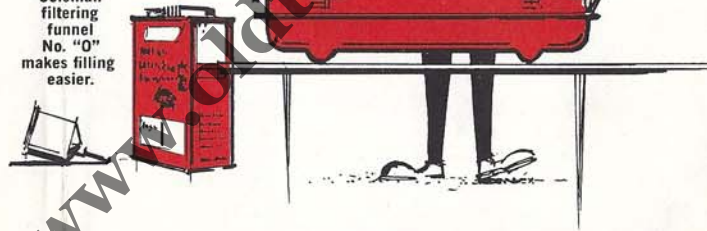
Use only Coleman Stove and Lantern Fuel or clean white gasoline. Never use fuel containing lead compounds or lubricating oils. Store your fuel in a clean, closed metal container.

If Coleman Stove and Lantern Fuel or ordinary "white" gasoline is not readily available, most oil companies will gladly tell you where to obtain it.

TO OPEN STOVE Unlatch and open lid. If it is windy, shield the burners by swinging wind baffles out and position them by inserting the wire clips into slots in the ends of the stove. Raise the grate and remove the tank assembly.

TO FILL TANK
(see illustration at right)
Close valve (1) firmly by turning valve wheel to right. Unscrew filler cap (2). With tank in level position, fill with clean, fresh fuel. Tank holds 3 pints. Replace filler cap and tighten firmly with fingers. Never remove cap near flame or high heat.

The Coleman filtering funnel No. "O" makes filling easier.



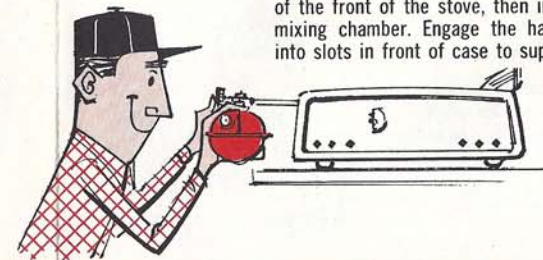
TO PUMP AIR PRESSURE INTO TANK Generator valve and filler cap must be closed firmly. Turn pump plunger handle



(3) two complete turns to the left. Place thumb over the small hole in handle and pump 35 to 50 full strokes of air into the tank. Then turn pump plunger handle to the right and tighten firmly.

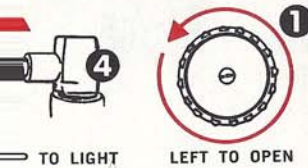
TO PLACE TANK AND GENERATOR IN POSITION

Insert the generator into large hole in the center of the front of the stove, then into opening in mixing chamber. Engage the hanger brackets into slots in front of case to support the tank.



LIGHT MASTER BURNER

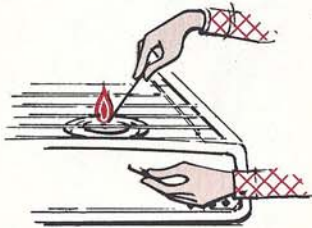
Turn auxiliary valve. Turn instant-light lever (4) to "UP TO LIGHT" position. Hold lighted match above the master burner



Turn valve wheel wide open to left. Rate burner full approximately one minute. When flame is quite blue, turn instant-light lever (4) to "DOWN TO BURN" position. Flame can be adjusted by turning valve wheel. Air pressure may be added to tank at any time to give stronger flame. (If flame remains reduced when valve is opened all the way, close and open valve several times. This will clean gas tip.)

LIGHT AUXILIARY BURNERS

After the main burner has been lighted, auxiliary burners may be lighted. Hold a match above each burner and turn its valve. Flame can be adjusted as desired. Master burner may require adjustment after lighting either auxiliary burner.



TO SHUT OFF AUXILIARY BURNERS

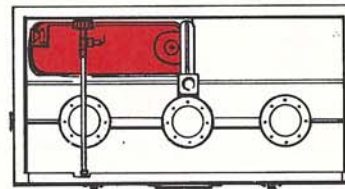
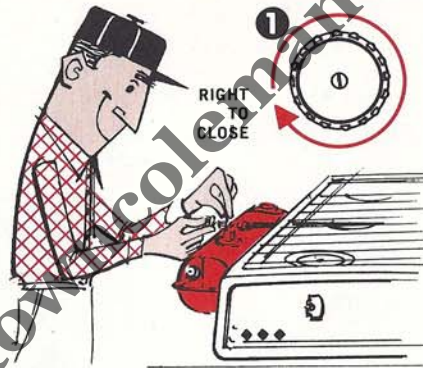
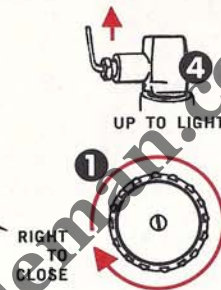
Turn auxiliary burner valves to right until closed.

TO SHUT OFF MAIN BURNER

On master burner, turn instant-light lever (4) to "UP TO LIGHT" position and let burn one minute. (This cleans heavier parts of fuel from the generator). Now turn the valve wheel (1) to the right and close firmly. The flame may burn a minute or more until gas in the generator is gone.

TO PACK STOVE

Reverse the procedure followed in opening stove. The tank and generator assembly go in the left end of the stove as you face it, with the valve wheel fitted in under the rear flange of the case.



GENERAL SUGGESTIONS

KEEP BURNER CLEAN. An obstruction, such as a burned match head, near the burner will produce a yellow flame at that point.

THE PUMP PLUNGER not only pumps air into the tank but acts as a wrench to turn the air stem. Turned to the left it opens the air stem so air may be forced through check valve. Turned to the right, the air stem closes the check valve and provides a positive shutoff. Air pressure may be added while the stove is burning. Oil the leather occasionally to keep it soft and pliable.

KEEP TANK CLEAN by rinsing it occasionally with clean fuel.

BEFORE STORING STOVE, clean stove carefully, leave fuel in tank. After long storage, empty tank and refill with fresh fuel.

THE STOVE GENERATOR changes liquid fuel to a vapor. Eventually it may fill with carbon so no fuel can be forced through it. Avoid problems by keeping a spare generator, No. 413A5621 on hand.

THE GASKET in filler cap may deteriorate with age. It might be well to install a new No. 220-6361 Gasket and Disc Assembly occasionally.

CONTACT YOUR DEALER for service assistance or parts for your stove. Or write The Coleman Company, Inc., mentioning that your stove is a No. 426D.