

TO CONVERT STOVE FROM COLEMAN FUEL TO KEROSENE:

The kerosene generator can be identified by the groove in the generator nut. The Coleman fuel generator has no groove.

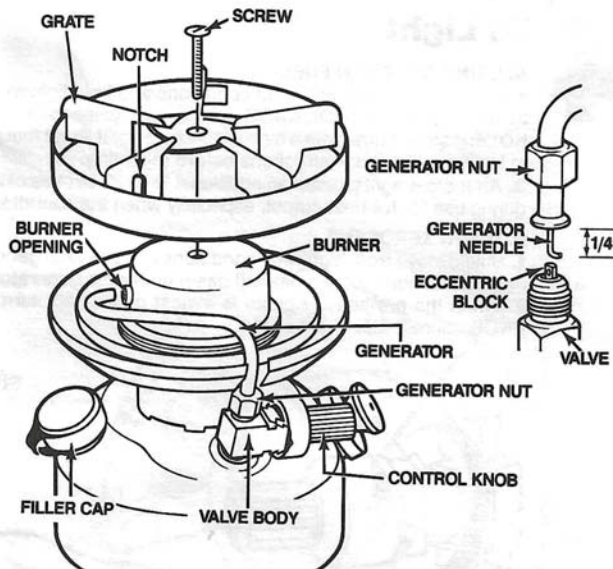
TO REMOVE GENERATOR ASSEMBLY

1. Move away from any ignition source.
2. Release any pressure from tank by loosening filler cap.
3. Hold valve and loosen generator nut two full turns.
4. Remove screw from top of burner and lift off the grate.
5. Swivel generator away from burner.
6. Loosen and lift the generator nut away from the valve body.
7. Turn control-knob to 'LOW' and pull the generator needle out from the eccentric block.

NOTE: Be careful not to bend or damage the generator needle.

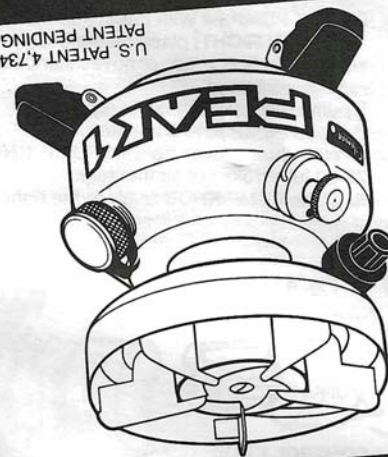
TO INSTALL GENERATOR ASSEMBLY

1. With control-knob turned to 'LOW' position - carefully place the generator needle into the hole in eccentric block - Turn control-knob to 'OFF'.
2. Slide generator tube onto top of valve assembly and screw generator nut onto valve body - (finger tight).
3. Swivel generator towards burner and insert end of generator into burner opening.
4. Replace grate and tighten top burner-screw. Be sure the generator fits into the notch in one of the grate baffles.
5. Hold valve and wrench tighten generator nut firmly.
6. Tighten filler cap firmly.
7. Visually check for leaks immediately after lighting.



PEAK 1

U.S. PATENT 4,734,029
PATENT PENDING



How to Use and Enjoy Your
Multi-Fuel Backpack Stove
Model 550B499



Peak 1 Full Warranty

Our philosophy is that no product is really sold until it is delivering satisfactory service to you, the user. Accordingly, we strive for an exceptional level of quality in every product we build. As part of our commitment to excellence, we are proud to offer this outstanding warranty:

All Peak 1 products are fully warranted to the original owner against defects in materials and workmanship, except as qualified below*. If a product fails due to a manufacturing or material defect, we will repair the product without charge, or replace it, at our option.

WHAT IS COVERED: Repair (parts and labor) or replacement, at our option, required because of defective material or workmanship.

WHAT IS NOT COVERED: Repair due to normal wear, accident, improper use, improper care and maintenance, or negligence where we are not at fault. Repairs of this nature will be performed for a reasonable charge.

WHO RECEIVES WARRANTY: Original owners in the United States or through U.S. Military exchange systems.

HOW TO OBTAIN WARRANTY PERFORMANCE: Return the product, with sales receipt, to place of purchase, or ship it (prepaid) to your nearest authorized Peak 1 Service Center (to locate your nearest Service Center write to: Peak 1 Repairs, Dept. #678, P.O. Box 1762, Wichita, KS 67201) or call 1-800-835-3278. Collect shipments cannot be accepted.

This warranty gives you specific legal rights, and you may also have other rights which vary from state to state.

Peak 1 apparel products constructed of Gor-Tex® fabrics will provide many years of service if properly cared for. However, the useful life of these materials is not yet known. Therefore Peak 1 warrants these materials against leakage for three years from the date of purchase. All such garments must be thoroughly laundered prior to seeking warranty service.

COLEMAN OUTDOOR PRODUCTS, INC.
3600 N. Hydraulic Wichita, Kansas 67219

Made in United States of America

COLEMAN OUTDOOR PRODUCTS, INC.

3600 N. Hydraulic, Wichita, Kansas U.S.A. 67219

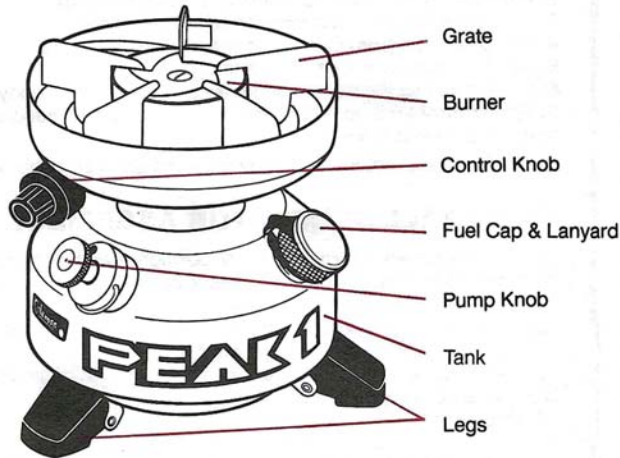
1965G861 (5-90) P.I.

LITHO IN U.S.A.

1 Follow Instructions and Warnings To Avoid Possible Injury Or Property Damage.

WARNING:

1. This stove consumes air (oxygen). Do not use in unventilated or enclosed areas to avoid endangering your life.
2. When stove is in use, all metal parts of the burner assembly and controls, become extremely hot. **DO NOT TOUCH.**



3. Fuel for your stove is extremely flammable. Use the same care you were using gasoline.
 4. Always light and use stove outdoors; never inside house, car, tent, or other enclosed areas.
 5. Fill outdoors. Never fill tank, loosen or remove fuel cap while stove near flame, other heat sources, or while stove is hot to the touch.
 6. When manufactured, your Peak 1 stove is ready to be used Coleman fuel. The generator must be changed before using kerosene. Be sure that you know if the fuel tank contains Coleman fuel or kerosene before lighting, and that the generator is correct for the fuel.
- 7. FUEL**
- A) COLEMAN FUEL**
This stove is designed to use Coleman fuel. Never use regular premium leaded automotive fuel.
- OR**
- B) KEROSENE**
Always use clean, fresh, white kerosene.
8. Store fuel in a clean, properly marked container. Use and store away from flame, (including pilot lights), or excessive heat.
 9. **NEVER** allow tents, sleeping bags, clothing, or any flammable material to come within three feet (3') of the top, and one foot (1') of all the sides of the stove.
 10. **NEVER** place heavy or large capacity utensils on stove. **NEVER** use stove in any way, or use with any device or part not expressly approved by Coleman. **NEVER** use as a space heater. **NEVER** leave stove unattended while burning.
 11. **NEVER** pump a stove while a utensil is on it.
 12. **DO NOT** lean over stove while lighting.
 13. **KEEP OUT OF REACH OF CHILDREN.**

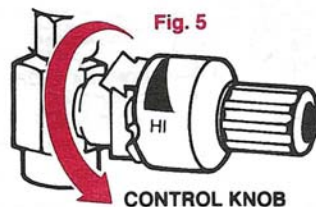
4 To Light

A. USING COLEMAN FUEL

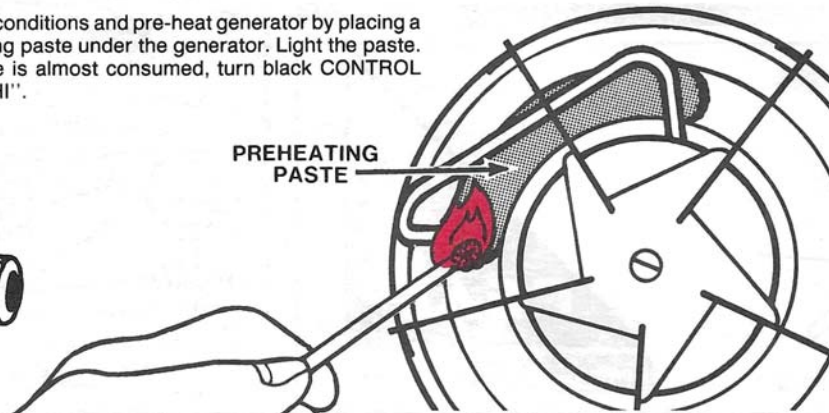
1. Shield stove from high wind conditions and hold lighted match to burner bowl.
 2. Turn black CONTROL KNOB counter-clockwise to "HI" position (Fig. 5).
- NOTE:** If stove burns with a high yellow flame or if liquid fuel appears in the burner, turn Control Knob "off" and allow flame to burn out. Review instructions before relighting.
3. After stove lights, pump an additional 15 to 30 strokes of air into tank. It may be necessary to repump stove occasionally during use for full heat output, especially when the control knob is on high.

B. USING KEROSENE

1. Shield stove from high wind conditions and pre-heat generator by placing a generous amount of pre-heating paste under the generator. Light the paste.
2. When the pre-heating paste is almost consumed, turn black CONTROL KNOB counter-clockwise to "HI".



PREHEATING PASTE



5



is if
er,
e is
with
Be
ne

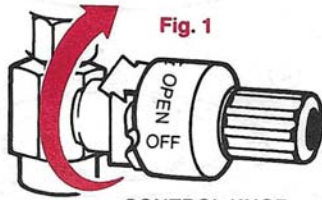
ror

way
ite-
jes
liter
by
ted

2 To Fill Tank

NEVER FILL OR LIGHT STOVE INSIDE HOUSE, CAMPER OR TENT.

1. Extend feet and place stove on a smooth, LEVEL surface.
2. Be sure CONTROL KNOB is in "OFF" position (Fig. 1).
3. Close PUMP KNOB firmly. Turn in direction of arrow on pump knob. (Fig. 2)
4. Remove FUEL CAP. Use a funnel or suitable filling device and fill with clean, fresh fuel. **DO NOT TIP STOVE.** (Fig. 3)
5. Replace FUEL CAP on stove and fuel container. Tighten firmly. Move fuel container away from stove; **WIPE UP ANY SPILLED FUEL AND DISPOSE OF IN A SAFE PLACE.**



CONTROL KNOB



Fig. 2

PUMP KNOB

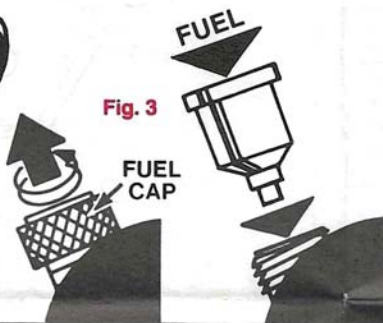


Fig. 3

FUEL CAP

3 To Pump

1. Be sure CONTROL KNOB is in the "OFF" position. (Fig. 4).
2. **TEST PUMP** — With pump knob in closed position (TURN RIGHT) place thumb over hole in pump knob and PUMP. If little or no resistance is felt, oil, or replace pump cup. If pump resists, go to next step.
3. Open PUMP KNOB one turn.
4. With thumb over hole in PUMP KNOB, pump 25-50 full strokes of air into tank.
5. Close PUMP KNOB firmly to the right.

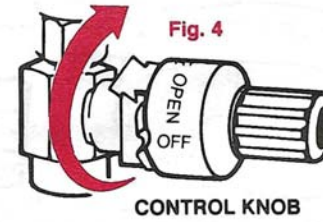
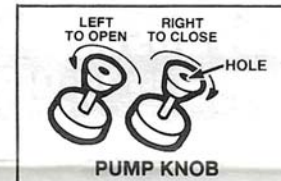


Fig. 4

CONTROL KNOB



LEFT TO OPEN
RIGHT TO CLOSE
HOLE

PUMP KNOB



To Regulate

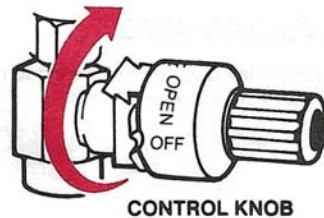
1. Turn CONTROL KNOB counter-clockwise between "HI" and "LOW".



CONTROL KNOB

6 To Turn Off

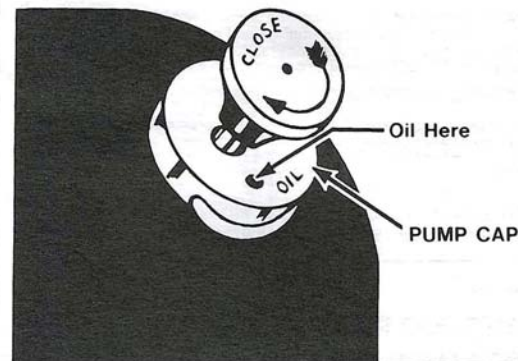
1. Turn CONTROL KNOB fully clockwise to the "OFF" position, **DO NOT** force CONTROL KNOB past the "OFF" position.
2. Flame will slowly extinguish.



CONTROL KNOB

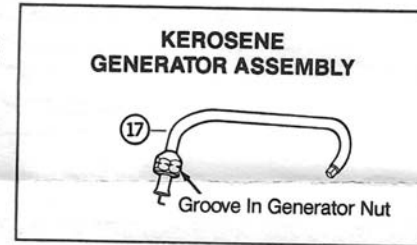
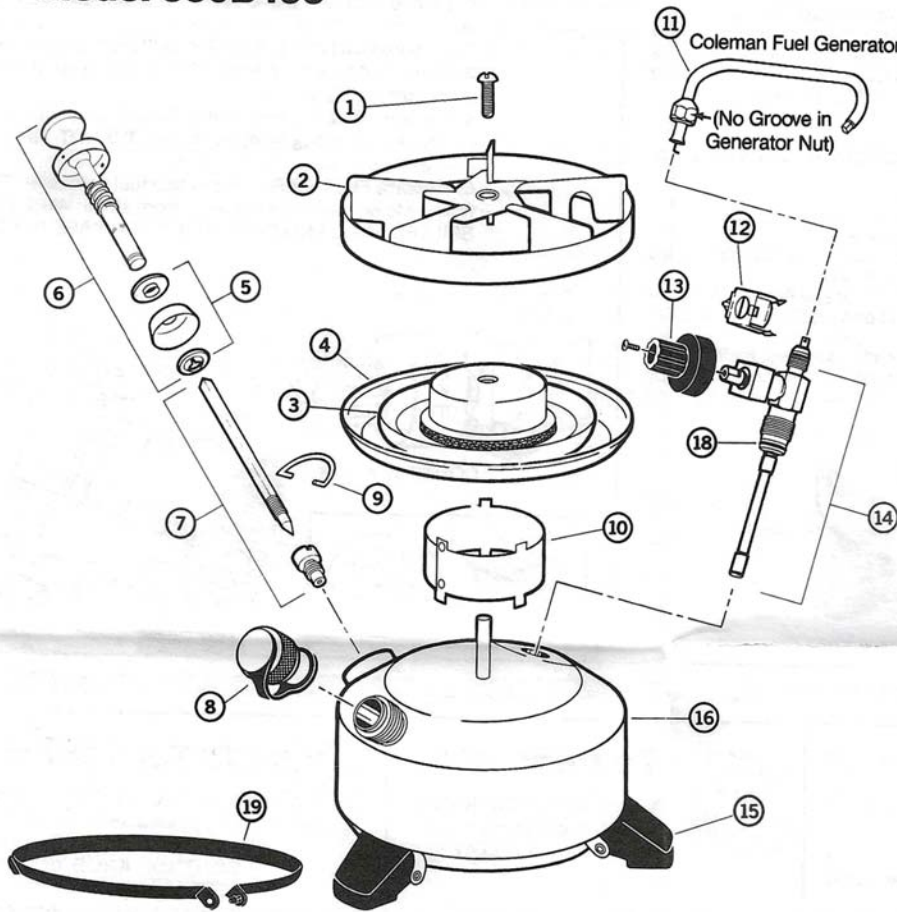
Things You Should Know

- Pre-heating paste is available at most stores that sell backpacking equipment.
- To reduce the possibility of rust and corrosion, flush tank and refill frequently with fresh fuel.
- Periodically, squirt a few drops of oil into the pump cap; this will keep the pump functioning properly.
- The pressure in the tank will drop during use, especially when the stove is on high. Repump occasionally for full heat output.



Parts List for Coleman Peak 1 Multi-Fuel Backpack Stove Model 550B499

| Item | Part No. | Description |
|------|-----------|--------------------------------------|
| 1 | 550-8321 | Screw |
| 2 | 550-3655 | Grate |
| 3 | 550-3751 | Burner Bowl Assembly |
| 4 | 550A4605 | Heat Shield |
| 5 | 216-5095 | Pump Cup |
| 6 | 505-5205 | Pump Plunger Complete |
| 7 | 222-5361 | Air Stem & Check |
| 8 | 550A1405 | Filler Cap & Lanyard |
| 9 | 530A5071 | Pump Cap Clip |
| 10 | 550-4895 | Collar |
| 11 | 550-2891 | Generator Complete (Coleman Fuel) |
| 12 | 321-C6011 | Spring Clip |
| 13 | 550-6491 | Knob & Screw |
| 14 | 550-6565 | Valve Assembly |
| 15 | 550-3001 | Leg, Ring & Rivet |
| 16 | 550-1595 | Tank |
| 17 | 550-2901 | Generator Complete (Kerosene) |
| 18 | 5410-1341 | "O" Ring (set of 2) |
| 19 | 550-2005 | Leveling Ring |



LEVELING RING

1. Rotate leveling ring as needed to help level stove on uneven surfaces.

