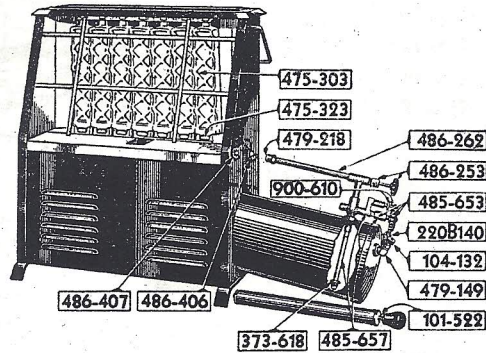
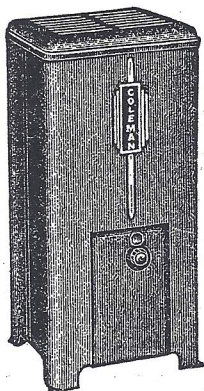


COLEMAN RADIANT HEATER PARTS ILLUSTRATIONS

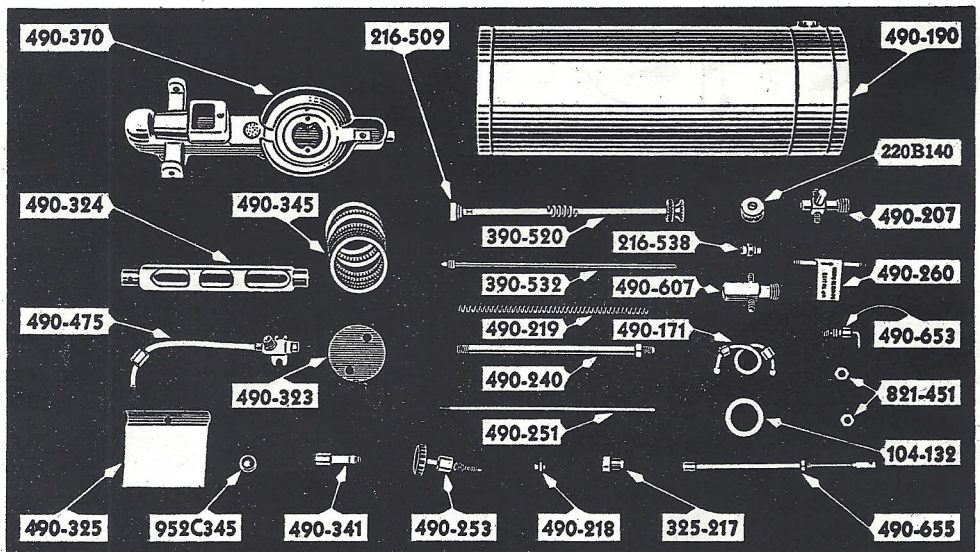


INSTANT LIGHTING RADIANT HEATER
Model No. 16

Order by Number	Part Name	Net Retail Price
101-522	Pump	\$1.05
104-132	Air Stem27
118B136	Filler Plug Gasket03
216-509	Pump Leather06
220B140	Filler Plug Complete69
373-618	Fuel Tip (Marked "AD")15
475-303	Radiant42
475-323	Main Burner Cap (7/8")09
479-149	Air Valve Complete60
479-218	Generator Gas Tip (Marked "W")18
479-219	Generator Filler Coil21
486-253	Generator Valve Stem Complete60
479-308	Drain Cap09
485-653	Instant-Gas Valve Stem Complete60
485-657	Instant-Gas Valve Complete	2.40
486-191	Tank & Fittings (Less Generator)	9.90
486-193	Tank, Valve & Generator Assembled	11.60
486-212	Generator Tube99
486-262	Generator Complete (Gas Tip Marked "W")	2.70
486-310	Sub-flame Burner Casting60
486-370	Burner Manifold (With Main Burner Caps)	3.75
486-406	Valve Catch15
486-407	Valve Latch15
900-610	Instant-Gas Valve Safety Lock15



GASOLINE HEATER
Model Nos. 490 and 490A



GASOLINE HEATER

Use Generator No. 490-262 on 490 and No. 490A262 on 490A

Refer to Numerical Listings for Parts, Description and Prices