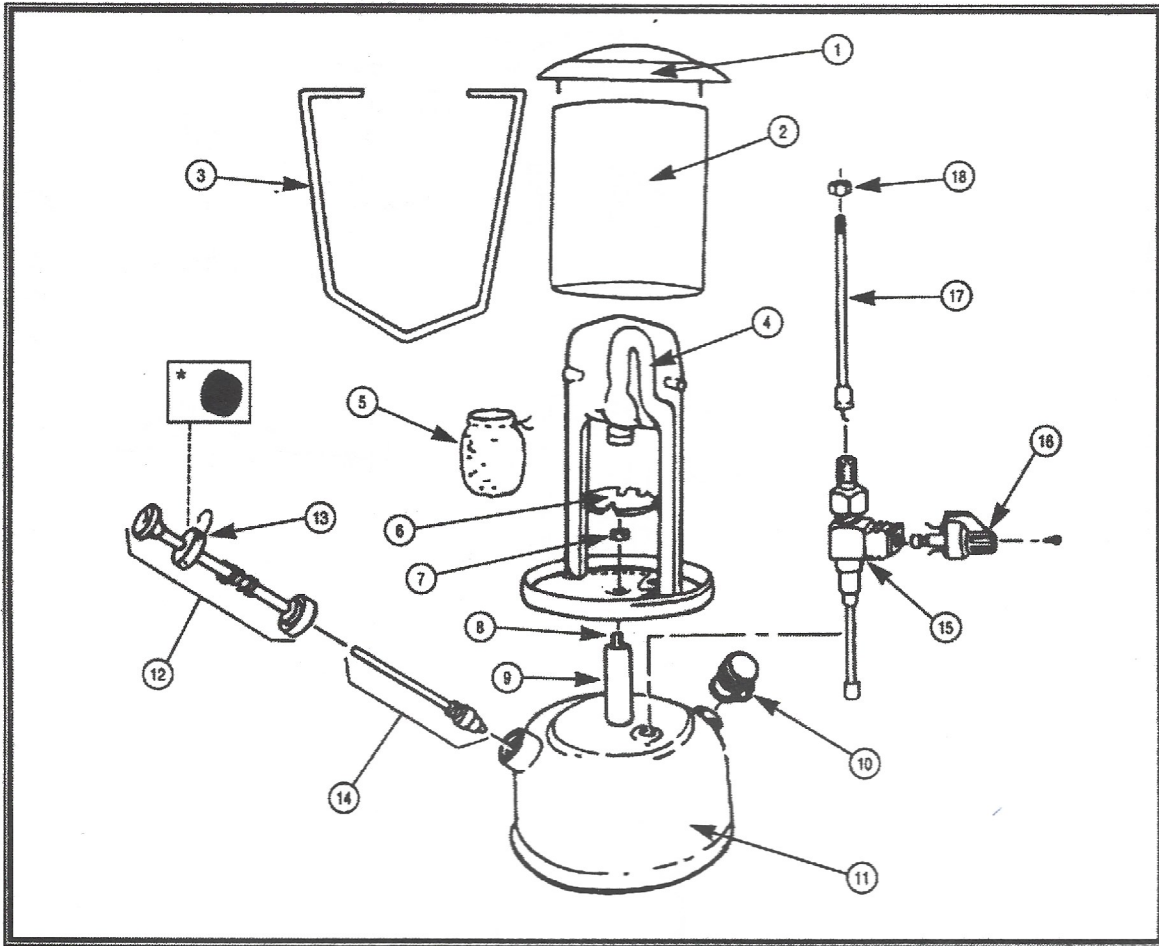


FIRST PRODUCTION - 12/91



| FUEL CAPACITY | DIMENSIONS         | APPROXIMATE BURN TIME | FULL WEIGHT |
|---------------|--------------------|-----------------------|-------------|
| 8 oz.         | 9 1/2"H x 4 3/16"D | 3 Hours (High)        | 34 oz.      |

| I.D.# | PART NUMBER | DESCRIPTION                   |
|-------|-------------|-------------------------------|
| 1     | 222Y4851    | Ventilator                    |
| 2     | 5414-0481   | Globe                         |
| 3     | 226-4211    | Ball                          |
| 4     | 222-3265    | Burner Assembly               |
| 5     | 20-101      | Mantle                        |
| 6     | 5414-4605   | Heat Shield                   |
| 7     | 1201B693    | Frame Nut                     |
| 8     | 321-6031    | Stud                          |
| 9     | 222A4291    | Base Rest                     |
| 10    | 222-1401    | Filler Cap                    |
| 11    | 222Y160C    | Fount Comp.                   |
| 12    | 400E5201    | Pump Plunger Assembly*        |
| 13    | 530A5071    | Clip, Pump Cap*               |
| 14    | 400-6381    | Check Valve and Stem Assembly |
| 15    | 222A6565    | Valve Assembly                |
| 16    | 222A6491    | Knob & Screw                  |
| 17    | 222A299C    | Generator                     |
| 18    | 288-1621    | Generator Nut                 |

\* With black plastic cap, pump clip #530A5071 will not have to be used.