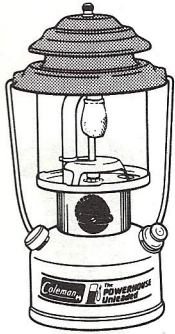


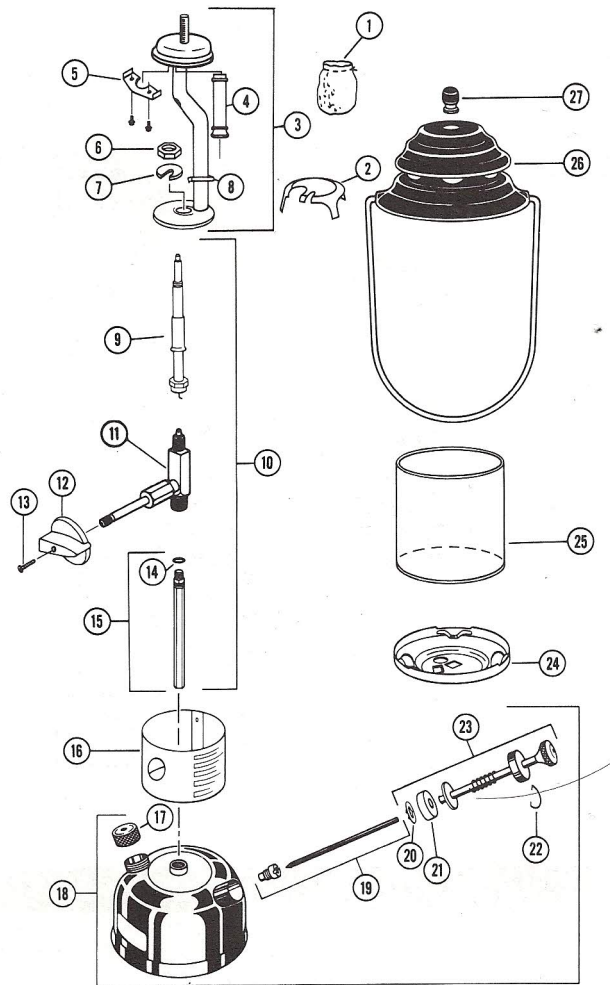
LANTERNS

282-700

Unleaded Single Mantle Lantern



Model 282-700



Model 282-700

Model	Ventilator Color	Diameter	Height
282-700	Black	5 1/8"	12 1/4"

KEY PART NO. DESCRIPTION

①	21A1001	Mantle
②	286-1151	Heat Shield
③	282-5341	Burner Assy.
④	295-6661	Burner Tube
⑤	214A1341	Retainer
⑥	295-1641	Nut
⑦	288-1251	U-Clip Washer
⑧	231A3111	Spring Clip
⑨	285-5891	Generator
⑩	282-5571	Valve Assy.
⑪	282-5051	Valve
⑫	288-5491	Knob
⑬	220D175	Screw
⑭	288-1261	O-Ring

KEY PART NO. DESCRIPTION

⑮	288B5231	Feed Tube Assy.
⑯	285-5291	Collar
⑰	220C1401	Fuel Cap
⑱	285-5111	Fount Assy. (Grey)
⑲	200-6381	Check Valve Stem Assy.
⑳	242-1071	Pump Cup Retainer
㉑	216-1091	Pump Cup
㉒	530A5071	Pump Clip
㉓	242D5201	Plunger Assy.
㉔	288-5401	Frame Bottom
㉕	214A0461	Globe
㉖	285-5101	Ventilator & Bail Assy. (Black)
㉗	288-441	Ball Nut