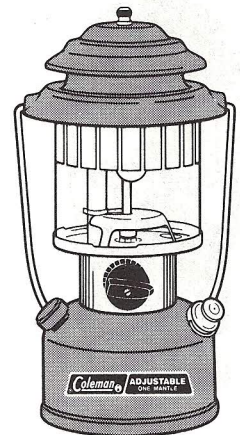
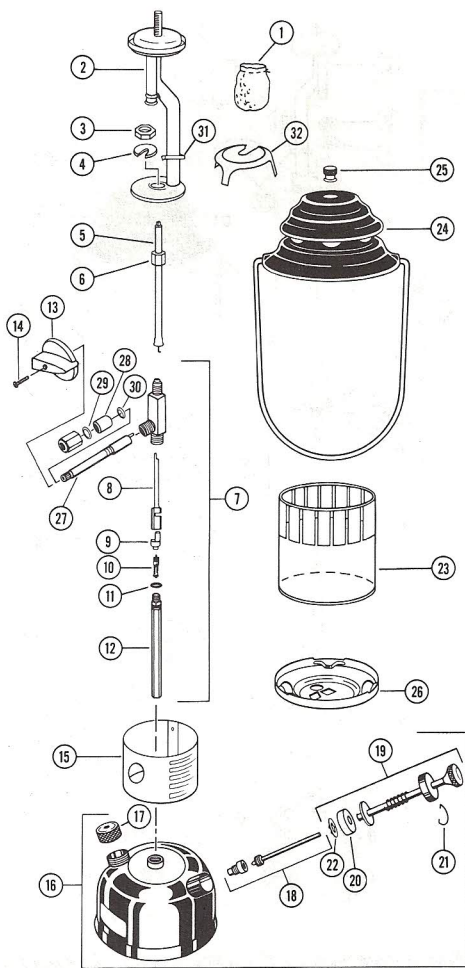


LANTERNS

286A700 Gas Lantern



Model 286A700



Model 286A700

Model	Color	Diameter	Lantern Height	Fuel Capacity
286A700	Green	5 1/8"	12 1/4"	1.26 Pints

KEY PART NO. DESCRIPTION

①	21A1001	Mantle
②	286B5341	Burner Assy.
③	288-1641	Nut
④	288-1251	U-Clip
⑤	288-5891	Generator
⑥	288-1621	Jamb Nut
⑦	286A6571	Valve Assy.
⑧	286C3041	Eccentric Block
⑨	288B3031	Valve Block
⑩	288-3651	Valve Core
⑪	288-1261	O-Ring
⑫	286B5231	Feed Tube Assy.
⑬	288-5491	Knob
⑭	220C175	Screw
⑮	286B5291	Collar
⑯	288-6151	Fount Assy.

KEY PART NO. DESCRIPTION

⑰	220C1401	Fuel Cap
⑱	200-6381	Check Valve Stem Assy.
⑲	242D5201	Plunger Assy.
⑳	216-1091	Pump Cup
㉑	530A5071	Pump Clip
㉒	242-1071	Pump Cup Retainer
㉓	214A0461	Globe
㉔	288-5001	Ventilator & Bail Assy.
㉕	288-4411	Ball Nut
㉖	288-5401	Frame Bottom
㉗	286A6141	Valve Stem Assy.
㉘	118D6201	Packing
㉙	288-6161	Pack Nut. Not Available
㉚	1202B1101	Pack Washer Not Available
㉛	231A31111	Spring Clip
㉜	286-1151	Heat Shield