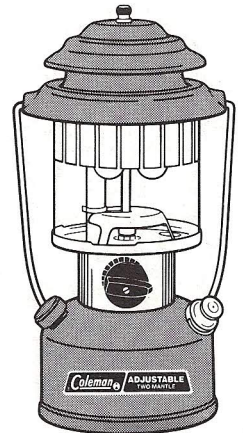
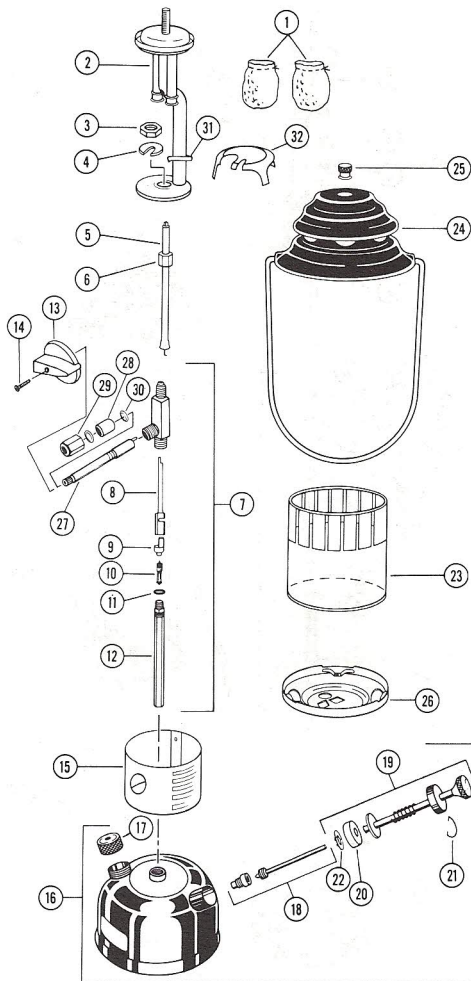


LANTERNS

288A700 Adjustable Lantern 2-mantle



Model 288A700



Model 288A700

Model	Color	Diameter	Lantern Height	Fuel Capacity
288A700	Green	5 1/8"	12 1/4"	1.26 Pints

KEY	PART NO.	DESCRIPTION	KEY	PART NO.	DESCRIPTION
①	21A1001	Mantle	①7	220C1401	Fuel Cap
②	288B5341	Burner Assy.	①8	200-6381	Check Valve Stem Assembly
③	288-1641	Nut	①9	242D5201	Plunger Assembly
④	288-1251	U-Clip	②0	216-1091	Pump Cup
⑤	288-5891	Generator	②1	530A5071	Pump Clip
⑥	288-1621	Jamb Nut	②2	242-1071	Pump Cup Retainer
⑦	288A6571	Valve Assy.	②3	214A0461	Globe
⑧	288C3041	Eccentric Block	②4	288-5001	Ventilator & Bail Assembly
⑨	288B3031	Valve Block	②5	288-4411	Ball Nut
⑩	288-3651	Valve Core	②6	288-5401	Frame Bottom
⑪	288-1261	O-Ring	②7	288A6141	Valve Stem Assembly
⑫	288B5231	Feed Tube Assy.	②8	118D6201	Packing
⑬	288-5491	Knob	②9	288-6161	Pack Nut. Not Available
⑭	220C175	Screw	③0	1202B1101	Pack Washer Not Available
⑮	288B5291	Collar	③1	231A3111	Spring Clip
⑯	288-6151	Fount Assembly	③2	288-1151	Heat Shield