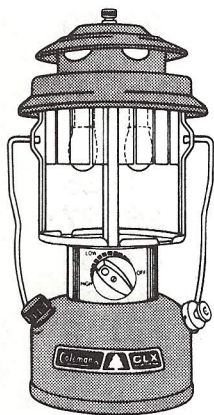


LANTERNS

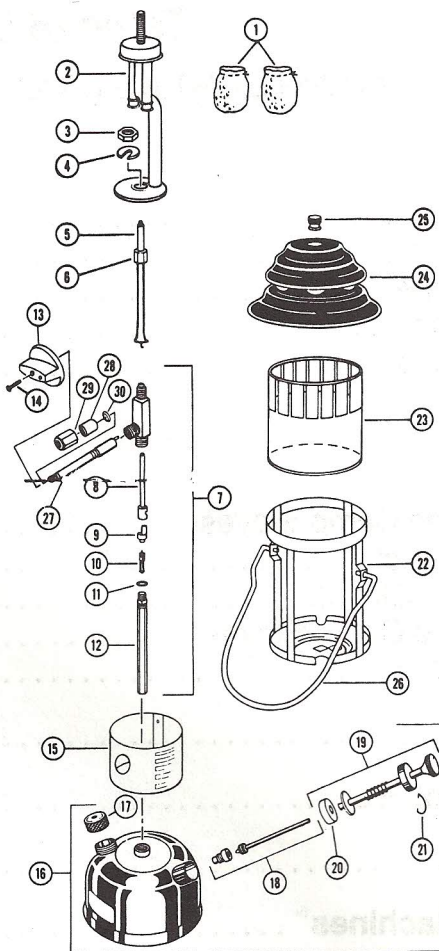
290-700

Powerhouse Gas Lantern

Discontinued Model



Model 290-700



Model 290-700

Model	Color	Diameter	Lantern Height	Fuel Capacity
290-700	Green	6"	13 ⁷ / ₈ "	2 Pints

KEY PART NO. DESCRIPTION

- ① 21A1001 Mantle
- ② 290-5341 Burner Assy.
- ③ 288-1641 Nut
- ④ 288-1251 U-Clip
- ⑤ 290-5891 Generator
- ⑥ 288-1621 Jamb Nut
- ⑦ 290A6571 Valve Assy.
- ⑧ 288C3041 Eccentric Block
- ⑨ 288B3031 Valve Block
- ⑩ 288-3651 Valve Core
- ⑪ 288-1261 O-Ring
- ⑫ 290-5231 Feed Tube Assembly
- ⑬ 288-5491 Knob
- ⑭ 220C175 Screw
- ⑮ 290-5291 Collar

KEY PART NO. DESCRIPTION

- ⑯ 290-6151 Fount Assembly
- ⑰ 220C1401 Fuel Cap
- ⑱ 200-6381 Check Valve & Stem Ass'y
- ⑲ 242D5201 Plunger Assembly
- ⑳ 216-1091 Pump Cup
- ㉑ 530A5071 Pump Clip
- ㉒ 290-5301 Frame Assembly
- ㉓ 690-048 Globe
- ㉔ 290-4851 Ventilator
- ㉕ 288-4411 Ball Nut
- ㉖ 290-1381 Bail
- ㉗ 288A6141 Valve Stem Assembly
- ㉘ 118D6201 Packing
- ㉙ 242B6161 Pack Nut. Not Available
- ㉚ 1202B1101 Pack Washer Not Available