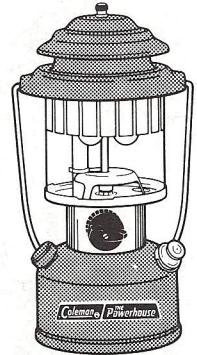


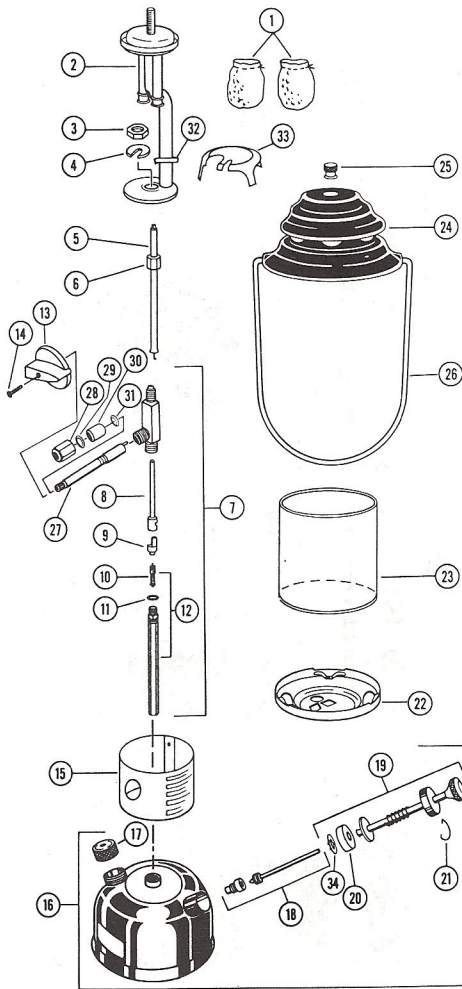
LANTERNS

290A700

Powerhouse (frameless) Gas
Lantern



Model 290A700



Model 290A700

Model	Color	Diameter	Lantern Height	Fuel Capacity
290A700	Green	6"	13 7/8"	2 Pints

KEY PART NO. DESCRIPTION

- ① 21A1001 Mantle
- ② 290B5341 Burner Assy.
- ③ 288-1641 Nut
- ④ 288-1251 U-Clip
- ⑤ 290-5891 Generator
- ⑥ 288-1621 Jamb Nut
- ⑦ 290A6571 Valve Assy.
- ⑧ 288C3041 Eccentric Block
- ⑨ 288B3031 Valve Block
- ⑩ 288-3651 Valve Core
- ⑪ 288-1261 O-Ring
- ⑫ 290-5231 Feed Tube Assy.
- ⑬ 288-5491 Knob
- ⑭ 220C175 Screw
- ⑮ 290B5291 Collar
- ⑯ 290-6151 Fount Assembly
- ⑰ 220C1401 Fuel Cap

KEY PART NO. DESCRIPTION

- ⑱ 200-6381 Check Valve Stem Assembly
- ⑲ 242D5201 Plunger Assembly
- ⑳ 216-1091 Pump Cup
- ㉑ 530A5071 Pump Clip
- ㉒ 290-5401 Frame Bottom
- ㉓ 690A048 Globe
- ㉔ 290-5001 Ventilator & Bail Assembly
- ㉕ 288-4411 Ball Nut
- ㉖ 290-1381 Bail
- ㉗ 288A6141 Valve Stem Assembly
- ㉘ 288-6161 Pack Nut Not Available
- ㉙ 1202B1101 Pack Washer Not Available
- ㉚ 118D6201 Packing
- ㉛ 413A2131 Retaining Ring
- ㉜ 231A3111 Spring Clip
- ㉝ 288-1151 Heat Shield
- ㉞ 242-1071 Nut