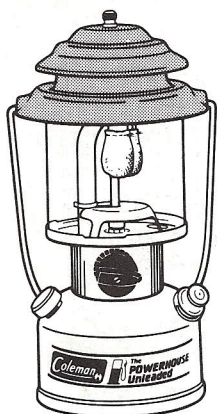


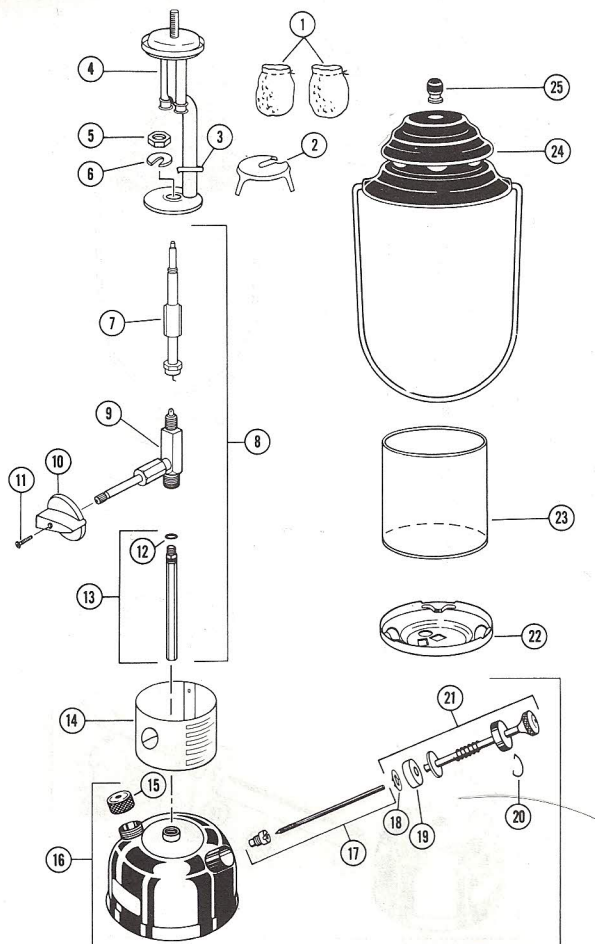
# LANTERNS

## 295-700

Unleaded Lantern



Model 295-700



Model 295-700

| Model   | Ventilator Color | Diameter          | Lantern Height     | Fuel Capacity |
|---------|------------------|-------------------|--------------------|---------------|
| 295-700 | Black            | 5 $\frac{1}{6}$ " | 12 $\frac{1}{4}$ " | 1.26 Pints    |

**KEY PART NO. DESCRIPTION**

|   |          |                 |
|---|----------|-----------------|
| ① | 21A1001  | Mantle          |
| ② | 288-1151 | Heat Shield     |
| ③ | 231A3111 | Spring Clip     |
| ④ | 295-5341 | Burner Assy.    |
| ⑤ | 295-1641 | Nut             |
| ⑥ | 288-1251 | U-Clip Washer   |
| ⑦ | 295-5891 | Generator       |
| ⑧ | 295-5571 | Valve Assy.     |
| ⑨ | 295-5051 | Valve           |
| ⑩ | 288-5491 | Knob            |
| ⑪ | 220D175  | Screw           |
| ⑫ | 288-1261 | O-Ring          |
| ⑬ | 290-5231 | Feed Tube Assy. |

**KEY PART NO. DESCRIPTION**

|   |          |                                 |
|---|----------|---------------------------------|
| ⑭ | 295-5291 | Collar                          |
| ⑮ | 200C1401 | Fuel Cap                        |
| ⑯ | 295-5151 | Fount Assy.                     |
| ⑰ | 200-6381 | Check Valve Stem Assy.          |
| ⑱ | 242-1071 | Pump Cup Retainer               |
| ⑲ | 216-1091 | Pump Cup                        |
| ⑳ | 530A5071 | Pump Clip                       |
| ㉑ | 242D5201 | Plunger Assy.                   |
| ㉒ | 290-5401 | Frame Bottom                    |
| ㉓ | 690A048  | Globe                           |
| ㉔ | 290A5101 | Ventilator & Bail Assy. (Black) |
| ㉕ | 288-441  | Ball Nut                        |