

391, 391A

INSTANT LIGHTING **GASOLINE** CABIN AND TRAILER STOVE (HOT PLATE)

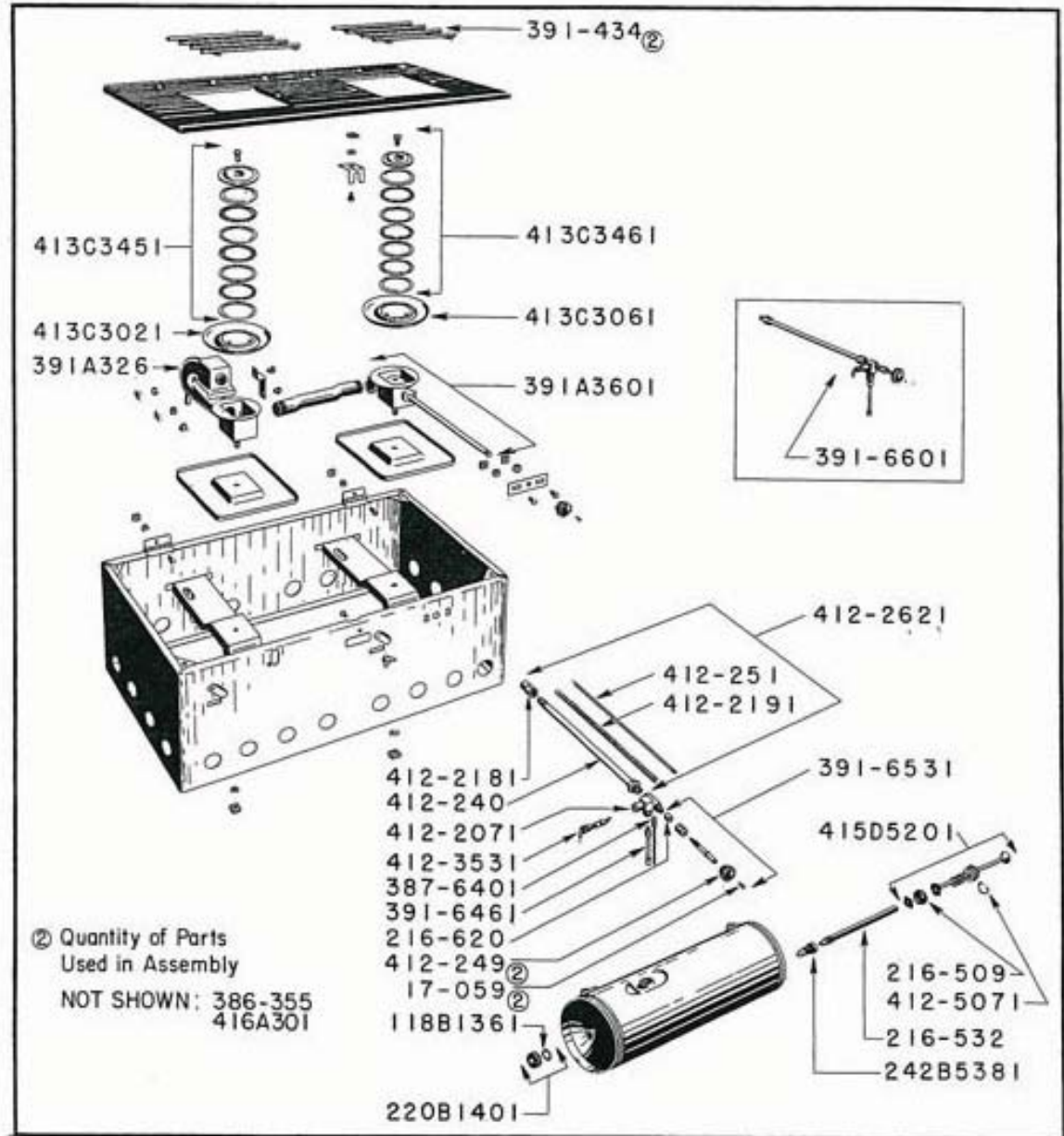
(Two Burner)

(Model 391A Shown)



Model 391, 391A

MODEL		391	391A
FINISH (Enamel)	Top & Grate	Black	
	Body	Ivory	
TANK CAPACITY (In Pints)		4	4
DIMENSION (Without Tank in Inches)	Height	7 1/4	7 1/4
	Width	19 3/4	19 3/4
	Depth	12 1/2	10 3/8



PART NUMBER	DESCRIPTION	USED ON MODEL
17-059	Machine Screw (#4—36x 3/8 Rd. Hd. Stl.)	
118B1361	Gasket (Filler Plug)	
216-509	Leather (Pump)	
216-532	Stem (Air)	
216-620	Packing (Valve Stem)	
220B1401	Filler Plug	
242B5381	Check Valve	
386-355	Valve Stem (Aux.—less Wheel)...	391 only
387-6401	Block & Needle Assy.	
391-434	Grate	
391-6461	Tube Assy. (Fuel & Air)	
391-6531	Stem Assy.	
391-6601	Valve & Gen. (Complete)	
391A326	Master Burner Body	391A only
391A3601	Valve Stem (Aux.—with Manifold)	391A only

PART NUMBER	DESCRIPTION	USED ON MODEL
412-2071	Valve Body	
412-2181	Gas Tip (Mk'd AK)	
412-2191	Coil (Generator)	
412-240	Tube (Gen.—with Nut)	
412-249	Wheel (Valve)	
412-251	Needle Assy.	
412-2621	Generator	
412-3531	Stem (Lighter)	
412-5071	Clip (Pump Cap)	
413C3021	Burner Bowl (Master)	391A only
413C3061	Burner Bowl (Aux.)	391A only
413C3451	Cap & Fillers (Master)	391A only
413C3461	Cap & Fillers (Aux.)	391A only
415D5201	Plunger Assy. Pump	
416A301	Cap (Burner) ... 2 req.	391 only