

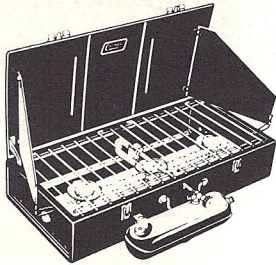
PARTS LIST

426D

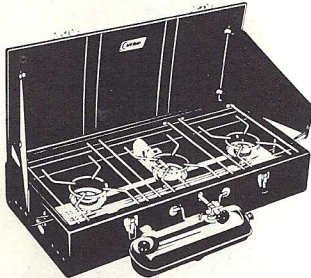
**INSTANT LIGHTING GASOLINE
CAMP STOVE (THREE BURNER)**

COLEMAN STOVES

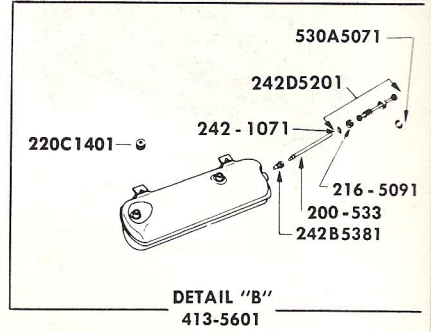
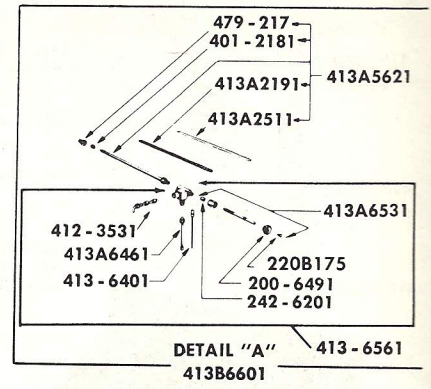
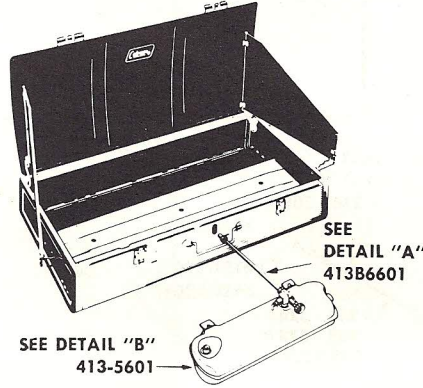
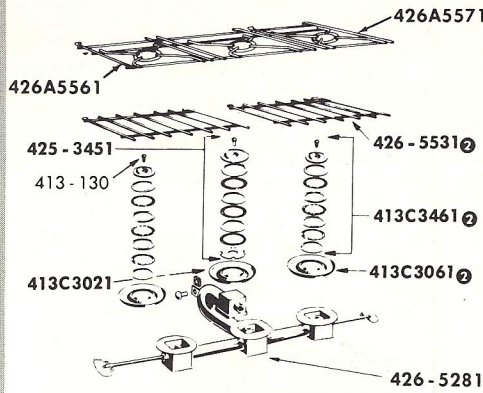
STOVES



1966
Model 426D



1967 & Later Models
Model 426D



Not Shown
 *426-5541 Aux. Br. Body
 *426-5551 Mstr. Br. Body
 *426A3231 Manifold Pipe

Ⓚ Quantity of Parts Used in Assembly

MODEL 426D SHOWN

MODEL	FINISH (Enamel)	BURNERS	DISTANCE BETWEEN CENTERS	TANK CAPACITY (In Pints)	DIMENSION (Folded — In Inches)		
					Height	Length	Width
426D	Green	3	9 5/16"	3	6 1/4	28 1/2	13 3/4

PART NO.	DESCRIPTION	USED ON	PART NO.	DESCRIPTION	USED ON
8B119	Forest Green Enamel — Pressurized Spray		413A2511	Needle Assembly	
8B147	Red Lacquer — Pressurized Spray for Tank		413A5621	Generator	
118B1361	Filler Cap Gasket (for Cap with Disc)		413A6461	Tube Assembly (Fuel and Air)	
200 - 533	Air Stem		413A6531	Stem Assembly	
200 - 6491	Valve Wheel		413B6601	Valve and Generator, Complete	
216 - 5091	Pump Cup		413C3021	Master Burner Bowl	
220 - 6361	Filler Cap Gasket & Disc Ass'y. — Discontinued		413C3061	Aux. Burner Bowl	
220B175	Self-Tapping Screw (#4 — 40 x 5/16")		413C3461	Aux. Burner Cap and Fillers	
220C1401	Filler Cap		425 - 3451	Master Burner Cap and Fillers	
242 - 1071	Push-On Nut		426 - 5281	Manifold Assembly	
242 - 6201	Valve Stem Packing		426 - 5531	Grate — Not interchangeable with 426A5561 and 426A5571	
242B5381	Check Valve		*426 - 5541	Aux. Burner Body with Valve	
242D5201	Pump Plunger Assembly		*426 - 5551	Master Burner Body	
401 - 2181	Gas Tip (Marked "B")		*426A3231	Manifold Pipe	
412 - 3531	Lighter Stem		426A5561	Left Grate — Not interchangeable with 426-5531	
413 - 130	Screw		426A5571	Right Grate — Not interchangeable with 426-5531	
413 - 5601	Tank, Complete		479 - 217	Tip Protector	
413 - 6401	Block and Needle Assembly		530A5071	Pump Cap Clip	
413 - 6561	Valve with Stem Assembly (Less Generator)		1059D1004	Screw (#10 — 32 x 1/4" Rd. Hd.) (for Cap with Disc)	
413A2191	Generator Coil				

*Can be used on stoves that do not have these parts swaged together. Parts will be supplied as long as stock is available.