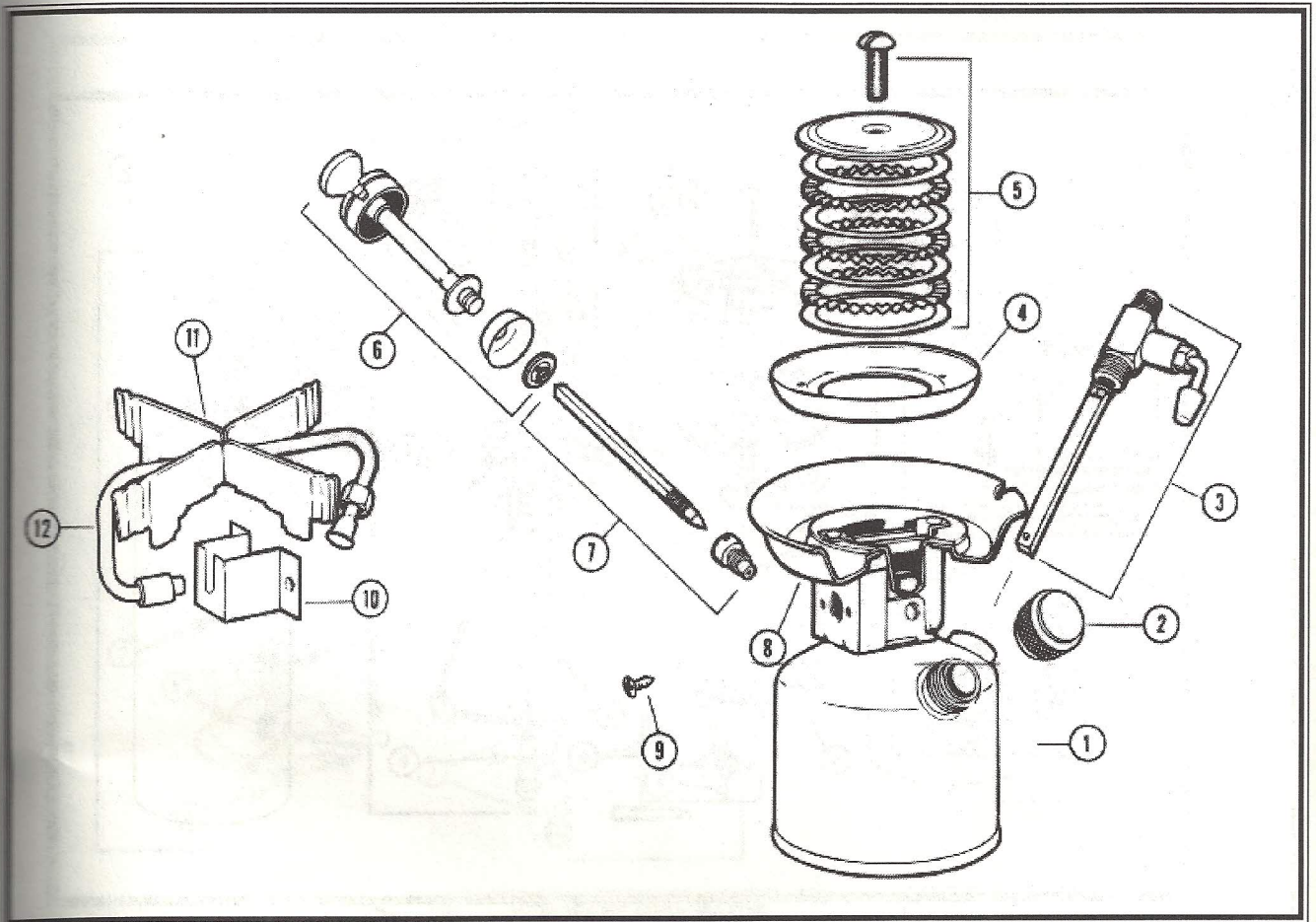


FIRST PRODUCTION -



DIMENSIONS	APPROXIMATE BURN TIME	WEIGHT
6 <sup>1</sup> / <sub>2</sub> " H x 4 <sup>3</sup> / <sub>4</sub> " D	Low 8 hr. High 1 <sup>1</sup> / <sub>2</sub> hr.	36 oz. Full

LD.#	PART NUMBER	DESCRIPTION
1	440-559C	Tank
2	220C140C	Filler Cap
3	400-5551	Valve Assembly
4	413C3021	Burner Bowl
5	400-3451	Burner Ring Set
6	400E5201	Pump Plunger Set
7	400-6381	Air Stem & Check Valve
8	400-5261	Burner Box Assembly
9	400-0601	Screw (Pkg. of 6)
10	400A1261	Generator Bracket
11	400-5401	Grate
12	442-5891	Generator Assembly