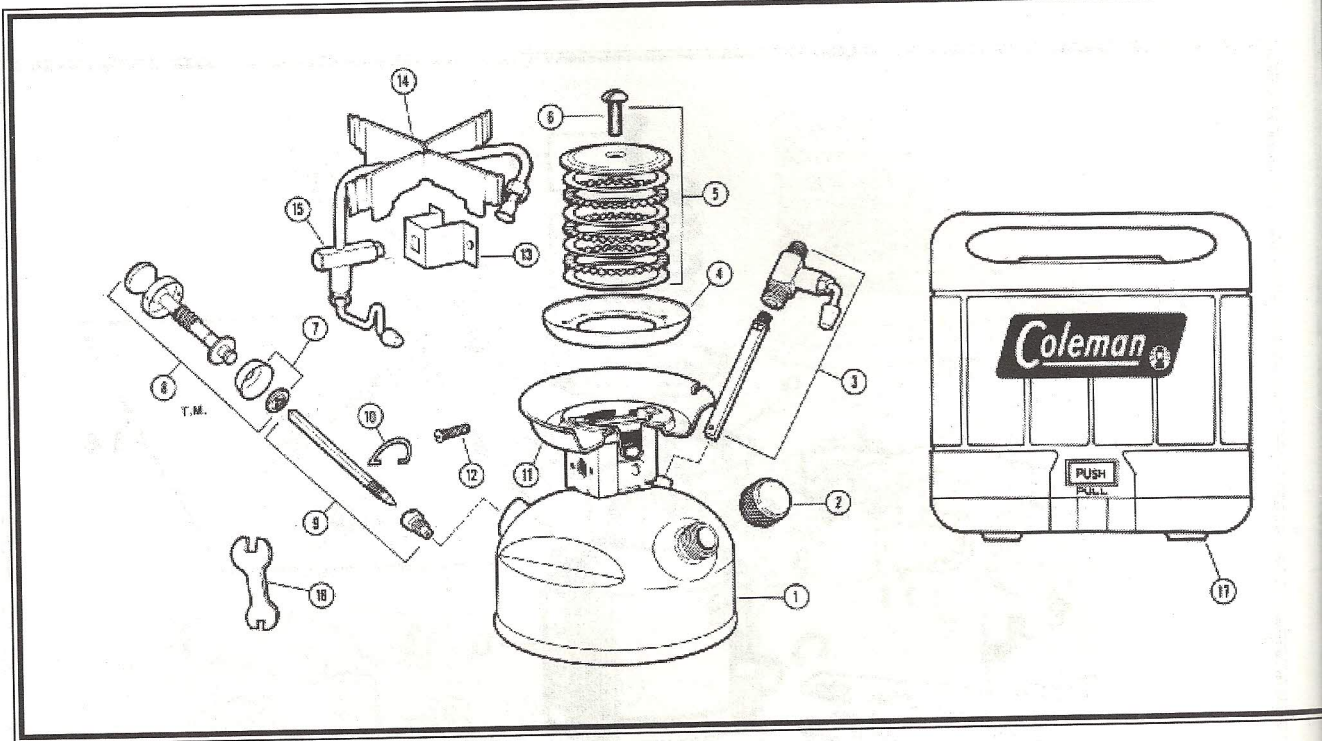


FIRST PRODUCTION -



DIMENSIONS	APPROXIMATE BURN TIME	WEIGHT
5 3/8" H x 5 3/8" D	1 3/4 hr. on high	

I.D.#	PART NUMBER	DESCRIPTION
1	508-615C	Fount
2	220C1401	Filler Cap
3	508-5571	Valve Assy.
4	413D3021	Burner Bowl
5	400-3451	Burner Ring Set
6	1147B1012	Screw, Burner Cap
7	216A-1091	Pump Cup
8	242D5201	Pump Plunger
9	200-6381	Air Stem & Check Valve
10	530A5071	Clip for Pump Cap
11	400-5261	Burner Box Assy.
12	400-0601	Screw (Plg. of 6)
13	400-1261	Generator Bracket
14	400-5401	Grate
15	508-5891	Generator & Regulator Assy.
16	508-1601	Wrench
17	508-7631	Carry Case

