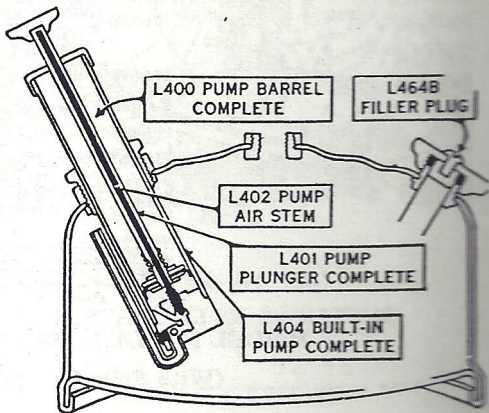


Parts No.	Name of Part	Net Retail Price
*216-509	Pump Leather.....	2 for .09
*Parts cannot be used on Model No. L427 (1926), when equipped with No. 204-165 (L465) Fount Complete.		



PARTS FOR MODEL No. L427 (1926) QUICK-LITE LANTERN

(With Semi-Concealed Built-In-Pump)

Parts No.	Name of Part	Net Retail Price
115-136	Filler Plug Gasket.....	2 for .06
204-139	Filler Plug Disc, Gasket & Screw15
204-140 (L464B)	Filler Plug Complete48
*204-165 (L465)	Fount Complete	—
204-520 (L401)	Pump Plunger Complete (Less Air Stem).....	.60
204-524 (L400)	Pump Barrel Complete90
204-530 (L404)	Pump Complete	1.50
216-532 (L402)	Air Stem15
409-509	Pump Leather	2 for .09
605-950	Wrench15

All parts listed under Model No. L327 (except those starred) can be used on Model No. L427 (1926) when equipped with No. 204-165 (L465) Fount Complete.

*No. 204-165 (L465) Fount Complete is obsolete. Supply Nos. 204-657 and 216-165. See Page No. 11 for illustration Model No. L427 (1927).